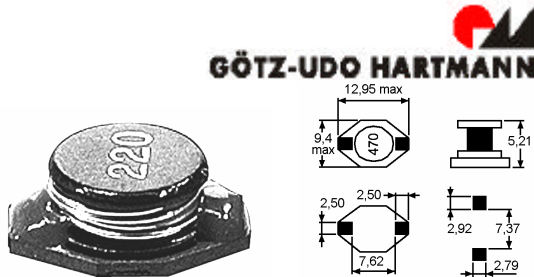


## Spoelen

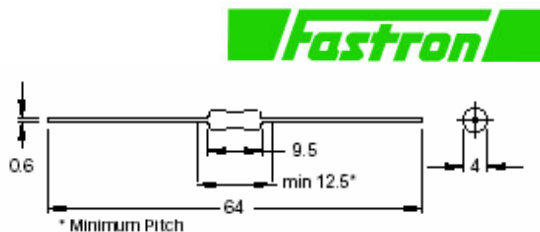
### SMD Power spoelen



Fabrikaat: Götz-Udo Hartmann (HARTU)  
 Serie: TSL  
 Testfrequentie: 100kHz

Bestelcodes:	Waarde	Stroom	Weerstand
TSL 1UH	1uH	6,8A	0,009 Ohm
TSL 2UH2	2,2uH	6,1A	0,012 Ohm
TSL 4UH7	4,7uH	4,8A	0,018 Ohm
TSL 10UH	10uH	3,8A	0,038 Ohm
TSL 15UH	15uH	3,0A	0,049 Ohm
TSL 22UH	22uH	2,6A	0,085 Ohm
TSL 33UH	33uH	2,0A	0,100 Ohm
TSL 47UH	47uH	1,6A	0,140 Ohm
TSL 56UH	56uH	1,5A	0,162 Ohm
TSL 68UH	68uH	1,4A	0,200 Ohm
TSL 100UH	100uH	1,2A	0,280 Ohm
TSL 220UH	220uH	0,8A	0,610 Ohm
TSL 470UH	470uH	0,5A	1,270 Ohm
TSL 1MH	1000uH	0,3A	3,000 Ohm

### Smoorspoelen weerstandmodel

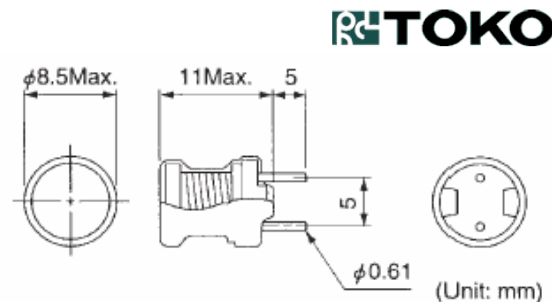


Fabrikaat: Fastron  
 Serie: SMCC  
 Afmetingen: ø4,0x9,5mm

Bestelcodes:	DC-Stroom	Weerstand	Tol.
SMC UH10	1600mA	0,08 Ohm	20%
SMC UH12	1550mA	0,10 Ohm	20%
SMC UH15	1500mA	0,10 Ohm	20%
SMC UH18	1480mA	0,10 Ohm	20%
SMC UH22	1450mA	0,10 Ohm	20%
SMC UH27	1400mA	0,11 Ohm	20%
SMC UH33	1350mA	0,12 Ohm	20%
SMC UH39	1300mA	0,13 Ohm	20%
SMC UH47	1280mA	0,14 Ohm	20%
SMC UH56	1240mA	0,15 Ohm	20%
SMC UH68	1230mA	0,16 Ohm	20%
SMC UH82	1210mA	0,17 Ohm	20%
SMC 1UH	1200mA	0,16 Ohm	10%
SMC 1UH2	1150mA	0,18 Ohm	10%
SMC 1UH5	1100mA	0,20 Ohm	10%
SMC 1UH8	1030mA	0,22 Ohm	10%
SMC 2UH2	1000mA	0,25 Ohm	10%
SMC 2UH7	940mA	0,26 Ohm	10%
SMC 3UH3	900mA	0,29 Ohm	10%
SMC 3UH9	850mA	0,31 Ohm	10%

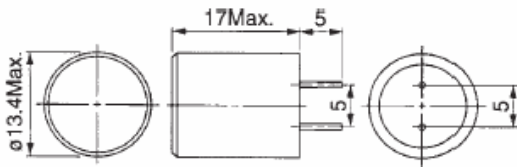
Bestelcodes:	DC-Stroom	Weerstand	Tol.
SMC 4UH7	820mA	0,34 Ohm	10%
SMC 5UH6	780mA	0,38 Ohm	10%
SMC 6UH8	670mA	0,51 Ohm	10%
SMC 8UH2	690mA	0,48 Ohm	10%
SMC 10UH	680mA	0,49 Ohm	10%
SMC 12UH	650mA	0,55 Ohm	10%
SMC 15UH	610mA	0,60 Ohm	10%
SMC 18UH	580mA	0,67 Ohm	10%
SMC 22UH	560mA	0,74 Ohm	10%
SMC 27UH	530mA	0,83 Ohm	10%
SMC 33UH	500mA	0,92 Ohm	10%
SMC 39UH	470mA	1,02 Ohm	10%
SMC 47UH	450mA	1,10 Ohm	5%
SMC 56UH	430mA	1,23 Ohm	5%
SMC 68UH	410mA	1,35 Ohm	5%
SMC 82UH	390mA	1,54 Ohm	5%
SMC 100UH	370mA	1,70 Ohm	5%
SMC 120UH	300mA	2,40 Ohm	5%
SMC 150UH	280mA	2,80 Ohm	5%
SMC 180UH	270mA	3,00 Ohm	5%
SMC 220UH	250mA	3,30 Ohm	5%
SMC 270UH	200mA	5,70 Ohm	5%
SMC 330UH	190mA	6,40 Ohm	5%
SMC 390UH	180mA	7,00 Ohm	5%
SMC 470UH	170mA	7,90 Ohm	5%
SMC 560UH	160mA	8,80 Ohm	5%
SMC 680UH	150mA	10,0 Ohm	5%
SMC 820UH	140mA	12,0 Ohm	5%
SMC 1MH	130mA	14,0 Ohm	5%
SMC 1MH2	120mA	16,9 Ohm	5%
SMC 1MH5	100mA	21,6 Ohm	5%
SMC 1MH8	95mA	24,0 Ohm	5%
SMC 2MH2	80mA	34,7 Ohm	5%
SMC 2MH7	75mA	40,0 Ohm	5%
SMC 3MH3	62mA	59,5 Ohm	5%
SMC 3MH9	59mA	66,0 Ohm	5%
SMC 4MH7	55mA	74,0 Ohm	5%
SMC 5MH6	40mA	70,0 Ohm	5%
SMC 6MH8	35mA	85,0 Ohm	5%
SMC 8MH2	30mA	95,0 Ohm	5%
SMC 10MH	25mA	115 Ohm	5%

### Smoorspoelen radiaal



Bestelcodes:	Toko artikelnr.
8RB 5MH6	8RB 187 LY562J
8RB 6MH8	8RB 187 LY682J
8RB 8MH2	8RB 187 LY822J
8RB 10MH	8RB 187 LY103J
8RB 12MH	8RB 187 LY123J
8RB 15MH	8RB 187 LY153J
8RB 18MH	8RB 187 LY183J
8RB 22MH	8RB 187 LY223J
8RB 27MH	8RB 187 LY273J

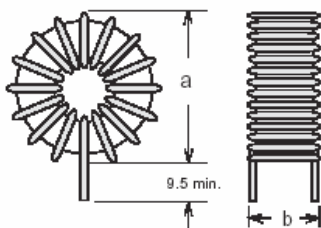
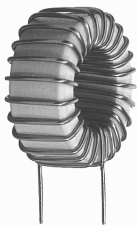
## Spoelen



Unit: mm

Bestelcodes:		Toko artikelnr.
<b>10R 33MH</b>	33MH	10RB 181 LY333J
<b>10R 39MH</b>	39MH	10RB 181 LY393J
<b>10R 47MH</b>	47MH	10RB 181 LY473J
<b>10R 56MH</b>	56MH	10RB 181 LY563J
<b>10R 68MH</b>	68MH	10RB 181 LY683J
<b>10R 82MH</b>	82MH	10RB 181 LY823J
<b>10R 100MH</b>	100MH	10RB 181 LY104J
<b>10R 120MH</b>	120MH	10RB 181 LY124J
<b>10R 150MH</b>	150MH	10RBH 239 LY154K
<b>10R 180MH</b>	180MH	10RBH 239 LY184K
<b>10R 220MH</b>	220MH	10RBH 239 LY224K
<b>10R 270MH</b>	270MH	10RBH 239 LY274K
<b>10R 330MH</b>	330MH	10RBH 239 LY334K
<b>10R 390MH</b>	390MH	10RBH 239 LY394K
<b>10R 470MH</b>	470MH	10RBH 239 LY474K
<b>10R 560MH</b>	560MH	10RBH 239 LY564K
<b>10R 680MH</b>	680MH	10RBH 239 LY684K
<b>10R 820MH</b>	820MH	10RBH 239 LY824K
<b>10R 1H</b>	1,0H	10RBH 239 LY105K
<b>10R 1H2</b>	1,2H	10RBH 239 LY125K
<b>10R 1H5</b>	1,5H	10RBH 239 LY155K

### Ontstoorspoelen



Bestelcodes:			afmetingen
<b>DPU 100UHA5</b>	100uH	0,5A	$\varnothing 14 \times 8\text{mm}$
<b>DPU 150UHA5</b>	150uH	0,5A	$\varnothing 15 \times 8\text{mm}$
<b>DPU 220UHA5</b>	220uH	0,5A	$\varnothing 15 \times 9\text{mm}$
<b>DPU 330UHA5</b>	330uH	0,5A	$\varnothing 15 \times 9\text{mm}$
<b>DPU 470UHA5</b>	470uH	0,5A	$\varnothing 20 \times 9\text{mm}$

Bestelcodes:			afmetingen
<b>DPU 33UH1A</b>	33uH	1,0A	$\varnothing 14 \times 8\text{mm}$
<b>DPU 47UH1A</b>	47uH	1,0A	$\varnothing 14 \times 8\text{mm}$
<b>DPU 68UH1A</b>	68uH	1,0A	$\varnothing 14 \times 8\text{mm}$
<b>DPU 100UH1A</b>	100uH	1,0A	$\varnothing 15 \times 8\text{mm}$
<b>DPU 150UH1A</b>	150uH	1,0A	$\varnothing 15 \times 9\text{mm}$
<b>DPU 220UH1A</b>	220uH	1,0A	$\varnothing 15 \times 9\text{mm}$
<b>DPU 330UH1A</b>	330uH	1,0A	$\varnothing 20 \times 9\text{mm}$
<b>DPU 470UH1A</b>	470uH	1,0A	$\varnothing 27 \times 12\text{mm}$
<b>DPU 1000UH1A</b>	1000uH	1,0A	$\varnothing 26 \times 13\text{mm}$

<b>DPU 22UH2A</b>	22uH	2,0A	$\varnothing 14 \times 8\text{mm}$
<b>DPU 47UH2A</b>	47uH	2,0A	$\varnothing 15 \times 8\text{mm}$
<b>DPU 68UH2A</b>	68uH	2,0A	$\varnothing 15 \times 8\text{mm}$
<b>DPU 100UH2A</b>	100uH	2,0A	$\varnothing 19 \times 8\text{mm}$
<b>DPU 150UH2A</b>	150uH	2,0A	$\varnothing 25 \times 12\text{mm}$
<b>DPU 220UH2A</b>	220uH	2,0A	$\varnothing 25 \times 11\text{mm}$
<b>DPU 330UH2A</b>	330uH	2,0A	$\varnothing 26 \times 12\text{mm}$

<b>DPU 22UH3A</b>	22uH	3,0A	$\varnothing 14 \times 8\text{mm}$
<b>DPU 33UH3A</b>	33uH	3,0A	$\varnothing 19 \times 8\text{mm}$
<b>DPU 47UH3A</b>	47uH	3,0A	$\varnothing 20 \times 8\text{mm}$
<b>DPU 68UH3A</b>	68uH	3,0A	$\varnothing 25 \times 12\text{mm}$
<b>DPU 100UH3A</b>	100uH	3,0A	$\varnothing 25 \times 12\text{mm}$
<b>DPU 150UH3A</b>	150uH	3,0A	$\varnothing 25 \times 12\text{mm}$
<b>DPU 220UH3A</b>	220uH	3,0A	$\varnothing 29 \times 13\text{mm}$
<b>DPU 330UH3A</b>	330uH	3,0A	$\varnothing 30 \times 14\text{mm}$
<b>DPU 470UH3A</b>	470uH	3,0A	$\varnothing 42 \times 14\text{mm}$

<b>DPU 33UH5A</b>	33uH	5,0A	$\varnothing 25 \times 12\text{mm}$
<b>DPU 47UH5A</b>	47uH	5,0A	$\varnothing 25 \times 12\text{mm}$
<b>DPU 68UH5A</b>	68uH	5,0A	$\varnothing 26 \times 12\text{mm}$
<b>DPU 100UH5A</b>	100uH	5,0A	$\varnothing 30 \times 13\text{mm}$
<b>DPU 150UH5A</b>	150uH	5,0A	$\varnothing 41 \times 13\text{mm}$
<b>DPU 220UH5A</b>	220uH	5,0A	$\varnothing 41 \times 13\text{mm}$

<b>DPU 22UH7A5</b>	22uH	7,5A	$\varnothing 30 \times 14\text{mm}$
<b>DPU 33UH7A5</b>	33uH	7,5A	$\varnothing 30 \times 14\text{mm}$
<b>DPU 47UH7A5</b>	47uH	7,5A	$\varnothing 31 \times 14\text{mm}$
<b>DPU 68UH7A5</b>	68uH	7,5A	$\varnothing 42 \times 14\text{mm}$

<b>DPU 68UH10A</b>	68uH	10,0A	$\varnothing 50 \times 21\text{mm}$
<b>DPU 100UH10A</b>	100uH	10,0A	$\varnothing 50 \times 21\text{mm}$